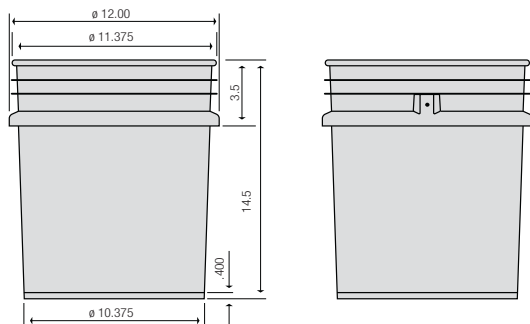


PC POLYETHYLENE CONTAINERS INC



FEATURES

- 5-Gallon Heavy Duty Container
- Polyethylene Containers pails are manufactured using high quality 100% recyclable HDPE resin
- Standard colors: white, black, natural, grey, red, blue, yellow, orange, green
- Custom Colors: available to meet your packaging needs
- Decoration: 4 color dry offset printing/Heat Transfer Labeling
- Lid Options: flexible pour spout, flexible pour spout with vent, tint plug, or plain cover
- Food contact approved high density polyethylene material
- Gasket: EPDM (Ethylene Propylene Diene (M-class) Rubber)
- Plastic Finger Grip Handle

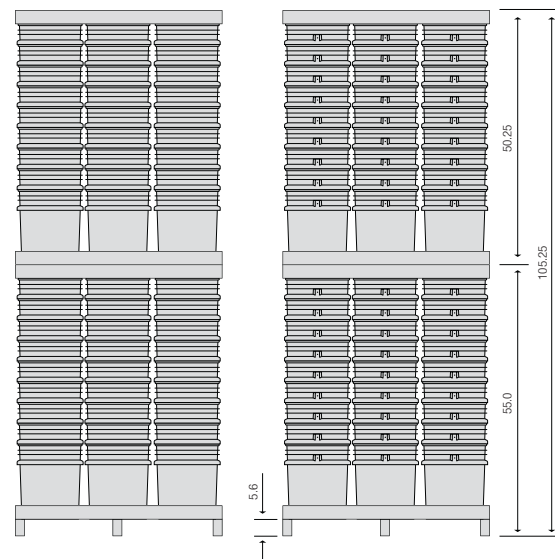


Wall Thickness	MM	Inch
Pails	1.78	.090
Gasket Lid	2.03	.090

Standard Weight (+/- 2%)	G	Lb.
Pail (with handle)	908	2.00
Gasket Lid	282	0.62

Thermal Resistance (tested with water)	
Filling	From -38°C (-36°F) to 82°C (180°F)
Warehousing	From -40°C (40°F) to 39°C (102°F)

Top Loading Resistance	Kg	Lb. Pail
Gasket Lid	50	550



Item	Pkg	Pack Size	Per Floor Space (fs)	53' Trailer fs/ftl qty
Pails	Tray	132	264	28 = 7392
Lids	Tray	660	1320	5 2/3 = 7392
Lids	Tray	264	1320	5 2/3 = 7392