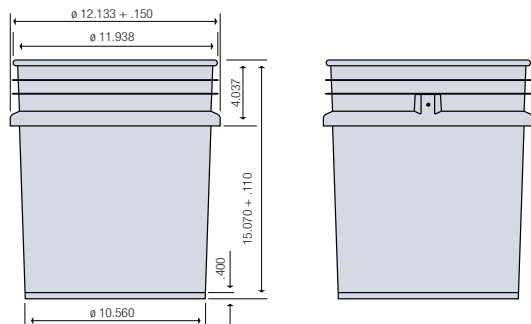


PC POLYETHYLENE CONTAINERS INC



FEATURES

- 20 liter Heavy Wall Container
- Polyethylene Containers pails are manufactured using high quality 100% recyclable HDPE resin
- Standard colors: white, black, natural, grey, red, blue, yellow, orange, green
- Custom Colors: available to meet your packaging needs
- Decoration: 4 color dry offset printing/Heat Transfer Labeling
- UN Certified for UN 1 H2 / Y23 / S
- Lid Options: Flexible pour spout, tint plug, plain cover
- Food approved high density polyethylene material
- Gasket: EPDM (Ethylene Propylene Diene (M-class) Rubber)
- Plastic Finger Grip Handle

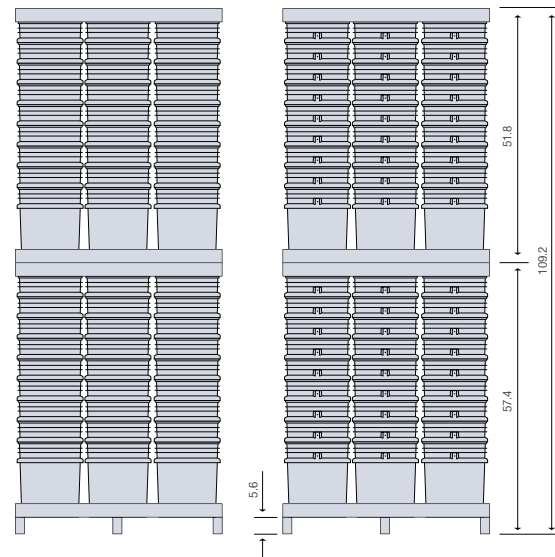


| Wall Thickness | CM | Inch |
|----------------|------|------|
| Pails | .229 | .090 |
| Gasket Lid | .203 | .080 |

| Standard Weight (+/- 2%) | G | Lb. |
|--------------------------|-----|------|
| Pail (with handle) | 986 | 2.17 |
| Gasket Lid | 282 | 0.62 |

| Thermal Resistance (tested with water) | |
|--|------------------------------------|
| Filling | From -38°C (-36°F) to 82°C (180°F) |
| Warehousing | From -40°C (-40°F) to 39°C (102°F) |

| Top Loading Resistance | Kg | Lb.Pail |
|------------------------|----|---------|
| Gasket Lid | 50 | 550 |



| Item | Pkg | Pack Size | Per Floor Space (fs) | 53' Trailer fs/ftl qty |
|-------|-------|-----------|----------------------|------------------------|
| Pails | Tray | 120 | 240 | 25 = 6000 |
| Lids | Tray | 600 | 1200 | 5 = 6000 |
| Lids | Boxes | 60 | 1200 | 5 = 6000 |